



JC1060Q370C_I

Introduction

Project	Parameter
Series	Q3
Grade	Military grade process
Model	JC1060Q370C_I
Resolution	1024*600
Size	7.0 Inch
Programming Language	C Language
Touc-hscreen type	Capacitive touch control
Main control model	D121
Main control frequency	400MHz



Version record

Version	Time	Describe
V1.0	2024/12/02	First edition released



深圳市晶彩智能有限公司
Shenzhen Jingcai Intelligent Co., Ltd

Contact Us

Phone : +8618665866730

E-mail : david@guition.com

Official website : <https://www.guition.com>

Data Center : <https://main.guition.com>

Company address :

201, No.19 Tianxi Road, FuchengStreet, Guanlan, Longhua District, Shenzhen,China

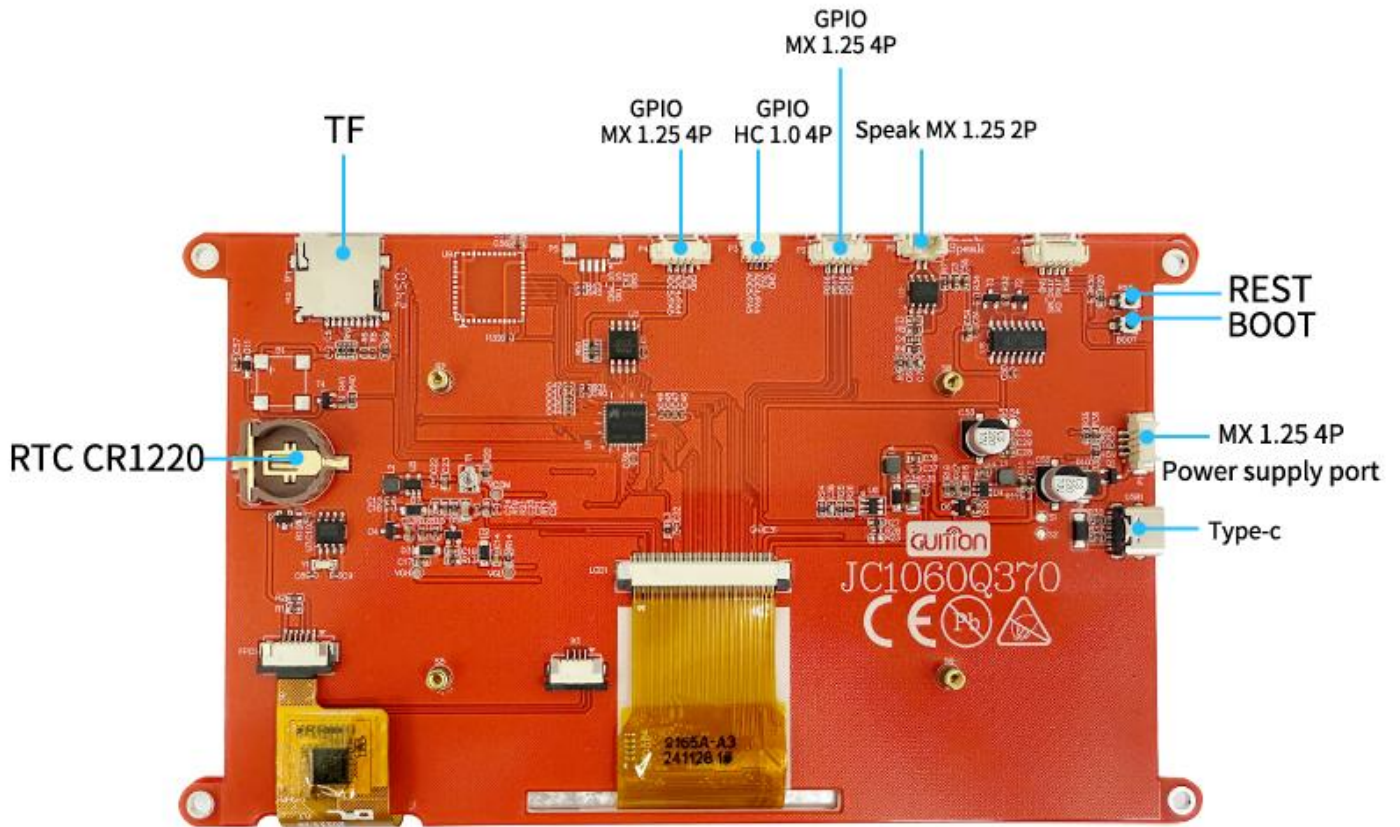


Product appearance and structural parameters:





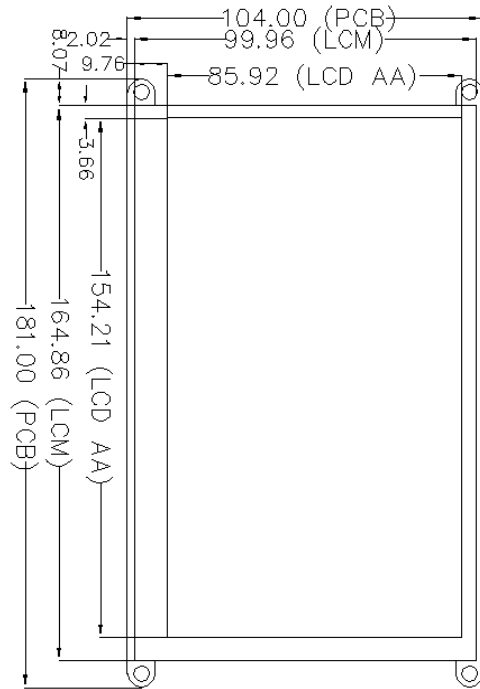
深圳市晶彩智能有限公司
Shenzhen Jingcai Intelligent Co., Ltd



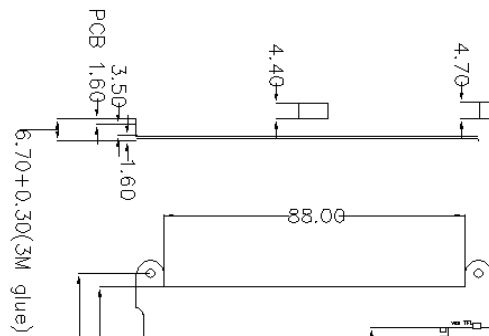


深圳市晶彩智能有限公司
Shenzhen Jingcai Intelligent Co., Ltd

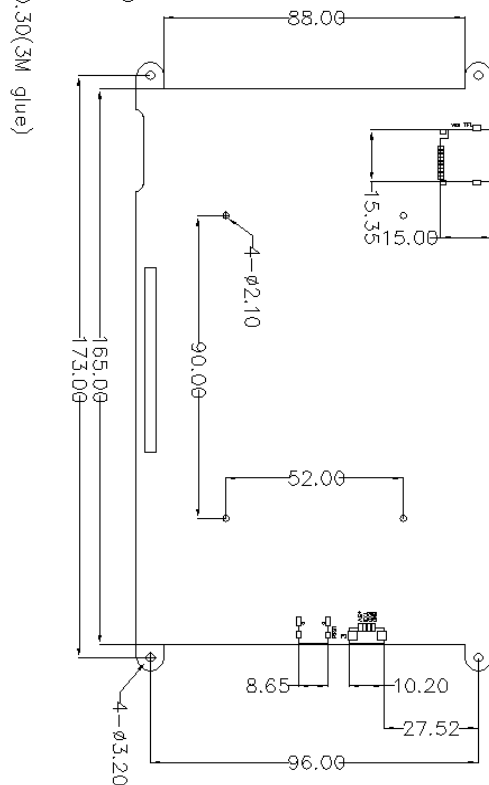
正面图



侧面图



背面图



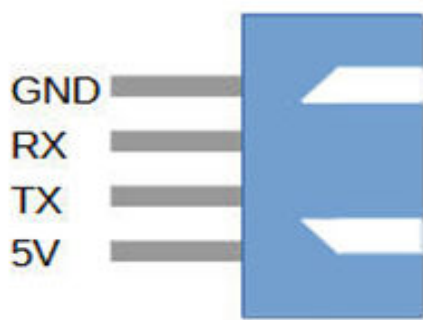


Basic parameters of display screen

Project	Parameter
External dimensions	181.00mm(L) * 104.00mm(W)
Display Size	164.86mm(L) * 99.96mm(W)
Visual size	154.21mm(L) * 85.92mm(W)
Driver chip	JD9165
Resolution	1024 * 600
LCD screen color	65K (65536) colour, 16bit palette, RGB565
Display mode	
Viewing angle (U/D/L/R)	Typical values: 75/75/75/75
Touch frequency	
Backlight Mode	LED
Backlight lifespan (average)	>30000 hour
Brightness	400int
Installation direction	0/90/180/270 Degree rotation installation display
Communication interface type	UART, Connector model: MX1.25mm 4pin
Serial Port Baud Rate	2400~921600
Serial communication mode	8 Number of digits, 1 bit stop bit
Serial port level	3.3V CMOS/TTL Level
Expand IO	Support
Audio	Support
Speaker connector model	MX 1.25MM 2Pin
Speaker Power	not more than 3W, Ensure sufficient power supply
RTC	Support
SD card	Support FAT32 file format, maximum 32G MicroSD/TF card
USB interface	Not Supported
Buzzer	Not Supported, Can be implemented using horn and buzzer materials



Description of power supply and serial port pin definitions (MX1.25 4P)



JC1060Q370 Power supply and serial port

Number	Pin	Describe
1	GND	Power Ground
2	RXD	RXD
3	TXD	TXD
4	5V	5V power input



Product overview

- Based on the Artinchip D121 chip, RT THhead operating system, with a clock frequency of up to 400MHz, 32KB SRAM, 8MB PSRAM, and a Flash size of 16MB
- 1024 * 600 resolution
- JPEG encoding and decoding format supports up to 1024* 768@60fps , PNG encoding and decoding format supports up to 1024* 768@30fps
- 7.0-inch color screen, supporting 16 bit RGB 65K color display, displaying rich colors
- Factory burned sample program, plug in available
- Reserved TF card interface, serial port interface, sensor interface, and reserved IO port interface
- Military grade process standards, long-term stable operation

Electrical performance parameters

Project	Parameter
Working voltage	Working voltage range:4.65V-6V
Working current	500mA
Recommended power supply	5V1A DC Power supply



Chip and Memory Characteristics

Project	Parameter
Main control chip model	D121BBV
Main control chip core	RISC-V
Main control chip frequency	400MHz
Flash memory type	Nor Flash
Flash memory capacity	16MB
Running memory	32KB SRAM, 8MB PSRAM
Micro SD/TF card	Supports FAT32 format, with a size not exceeding 32GB

Working environment parameters

Project	Parameter
Operation temperature	-20°C ~ +70°C
Storage temperature	-30°C ~ +80°C
Working humidity	30~90RH
Three prevention treatment	NO